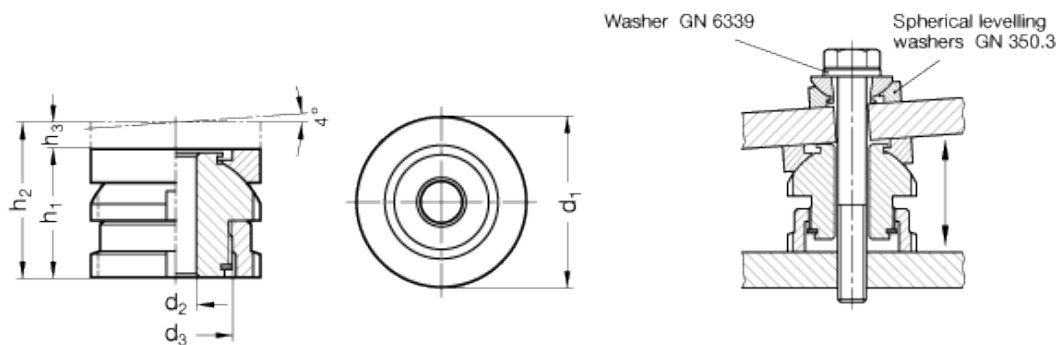


GN 350.2

Levelling sets



technical informations

Material

Zinc-plated steel ST.

F_1 : max. total load.

F_2 : max. load after deduction of the max. preload for screws 8.8, $\mu = 0,125$.

Accessories on request

C-Spanner DIN 1810 (code no. see table).

Features and applications

Levelling sets GN 350.2 are used for levelling, adjusting and linking operations. The spherical washer allows precise installation of two non parallel planes at a required gradient up to $\approx 4^\circ$.

They comprise a threaded upper sleeve and a female threaded lower sleeve. The fine thread allows a stepless and precise setting and locking using the C-Spanner DIN 1810. A locking ring serves as a height limiter for the max. height.

Standard Elements	Main dimensions						for thread	Static Load		C-Spanner	Weigh
	Description	d_1	d_2	h_1	d_3	h_2		h_3	Max. load F_1 in kN		
GN 350.2-25-5.5-22-ST	25	5.5	22	M15x1	26	4	M5	40	33.4	DIN 1810-A25-28	70
GN 350.2-25-5.5-35-ST	25	5.5	32	M15x1	50	15	M5	40	33.4	DIN 1810-A25-28	90

GN 350.2-25-6.6-22-ST	25	6.6	22	M15x1	26	4	M6	40	30.7	DIN 1810-A25-28	67
GN 350.2-25-6.6-35-ST	25	6.6	35	M15x1	50	15	M6	40	30.7	DIN 1810-A25-28	100
GN 350.2-32-6.6-26-ST	32	6.6	26	M20x1	31	5	M6	65	55.7	DIN 1810-A30-32	132
GN 350.2-32-6.6-43-ST	32	6.6	43	M20x1	63	20	M6	65	55.7	DIN 1810-A30-32	212
GN 350.2-32-9-26-ST	32	9	26	M20x1	31	5	M8	65	48	DIN 1810-A30-32	131
GN 350.2-32-9-43-ST	32	9	43	M20x1	63	20	M8	65	48	DIN 1810-A30-32	201
GN 350.2-32-11-26-ST	32	11	26	M20x1	31	5	M10	65	37.9	DIN 1810-A30-32	120
GN 350.2-32-11-43-ST	32	11	43	M20x1	63	20	M10	65	37.9	DIN 1810-A30-32	191
GN 350.2-45-11-34-ST	45	11	34	M30x1.5	41	7	M10	120	92.9	DIN 1810-A45-50	355
GN 350.2-45-11-54-ST	45	11	54	M30x1.5	79	25	M10	120	92.9	DIN 1810-A45-50	555
GN 350.2-45-13.5-34-ST	45	13.5	34	M30x1.5	41	7	M12	120	80.4	DIN 1810-A45-50	307
GN 350.2-45-13.5-54-ST	45	13.5	54	M30x1.5	79	25	M12	120	80.4	DIN 1810-A45-50	539
GN 350.2-45-17.5-34-ST	45	17.5	34	M30x1.5	41	7	M16	120	45.5	DIN 1810-A45-50	280
GN 350.2-45-17.5-54-ST	45	17.5	54	M30x1.5	79	25	M16	120	45.5	DIN 1810-A45-50	510
GN 350.2-58-17.5-44-ST	58	17.5	44	M40x1.5	53	9	M16	210	136	DIN 1810-A58-62	665
GN 350.2-58-17.5-70-ST	58	17.5	70	M40x1.5	102	32	M16	210	136	DIN 1810-A58-62	1092
GN 350.2-58-22-44-ST	58	22	44	M40x1.5	53	9	M20	210	90	DIN 1810-A58-62	650
GN 350.2-58-22-70-ST	58	22	70	M40x1.5	102	32	M20	210	90	DIN 1810-A58-62	1031
GN 350.2-58-26-44-ST	58	26	44	M40x1.5	53	9	M24	210	37	DIN 1810-A58-62	560
GN 350.2-58-26-70-ST	58	26	70	M40x1.5	102	32	M24	210	37	DIN 1810-A58-62	955
GN 350.2-70-22-50-ST	70	22	50	M50x1.5	60	10	M20	330	210	DIN 1810-A68-75	1200
GN 350.2-70-22-83-ST	70	22	83	M50x1.5	123	40	M20	330	210	DIN 1810-A68-75	1890
GN 350.2-70-26-50-ST	70	26	50	M50x1.5	60	10	M24	330	157	DIN 1810-A68-75	940
GN 350.2-70-26-83-ST	70	26	83	M50x1.5	123	40	M24	330	157	DIN 1810-A68-75	1802
GN 350.2-70-33-50-ST	70	33	50	M50x1.5	60	10	M30	330	53	DIN 1810-A68-75	815
GN 350.2-70-33-83-ST	70	33	83	M50x1.5	123	40	M30	330	53	DIN 1810-A68-75	1590
GN 350.2-80-26-56-ST	80	26	56	M60x2	68	12	M24	495	322	DIN 1810-A80-90	1280
GN 350.2-80-26-94-ST	80	26	94	M60x2	144	50	M24	495	322	DIN 1810-A80-90	2880
GN 350.2-80-33-56-ST	80	33	56	M60x2	68	12	M30	495	218	DIN 1810-A80-90	1000
GN 350.2-80-33-94-ST	80	33	94	M60x2	144	50	M30	495	218	DIN 1810-A80-90	2660
GN 350.2-80-39-56-ST	80	39	56	M60x2	68	12	M36	495	101	DIN 1810-A80-90	860
GN 350.2-80-39-94-ST	80	39	94	M60x2	144	50	M36	495	101	DIN 1810-A80-90	2230



STANDARD MACHINE ELEMENTS WORLDWIDE